

RMS-150-12

150W Metal Super Slim Power Supply

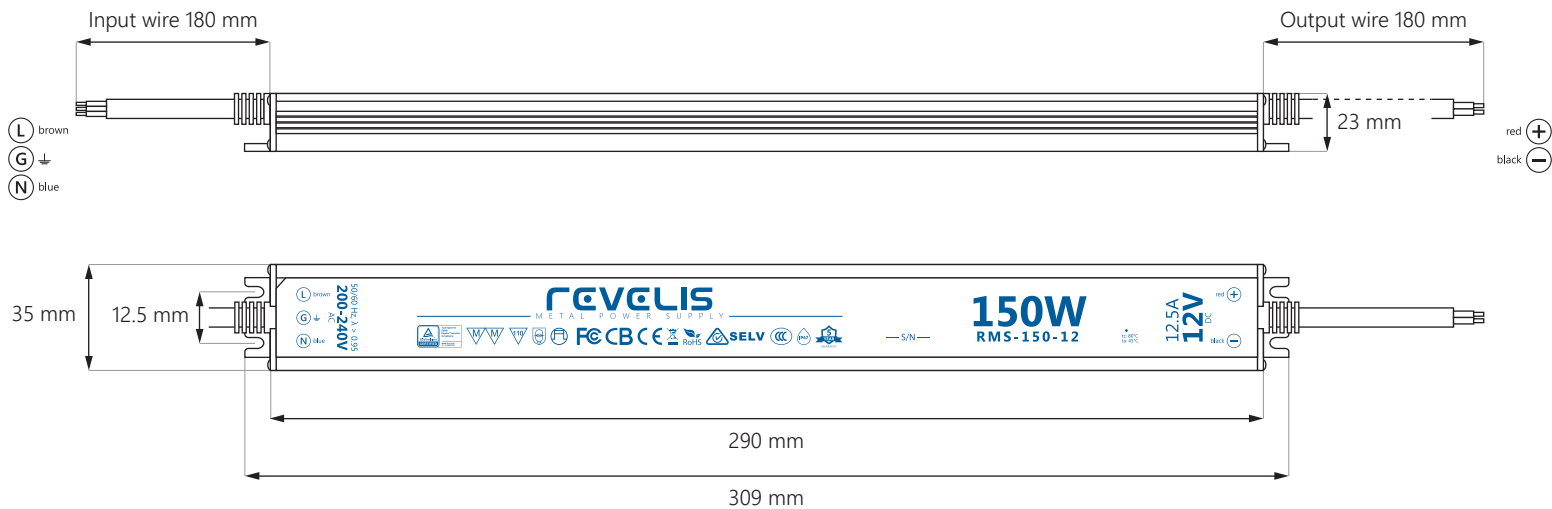


Meta slim housing profile makes the **Revelis power supply** easy to conceal within the frame of shallow light boxes, slim-line signage and integration into luminaires.

Revelis uses fan-less cooling to reduce noise and vibration and simplify the power supply structure. **RMS models** have built-in AC and DC cables.

The protection circuit will shut down the power supply in case of **over current, short circuit, over voltage and over temperature**.

Dimensions



RMS-150-12

150W Metal Super Slim Power Supply

Technical specification

OUTPUT

Turn on time	≤ 0.5 s
Output voltage	12V DC
Output voltage tolerance	±5%
Rated current	12.5 A
Output voltage wave	≤ 600 mV (Vp-p)
Rated power	150 W

INPUT

Input voltage	200-240V AC
Input frequency	50/60Hz
Input current	≤ 0.83 A
Efficiency	92%
No load power consumption	≤ 0.3 W
Inrush current	46 A @ 230V AC
Power factor	> 0.95

ENVIRONMENT

Working temperature	-25 ÷ +50°C
Working humidity	10%-95%, RH non-condensing
Max. case temp.	+80°C
Lifetime	~50 000 hr

SAFETY STANDARDS

LVD (2014/35/EU)	EN 61347-1:2015-09, EN 61347-2-13:2015-04
EMC (2014/30/EU)	EN 61000-3-3:2013-10/A1:2019-10, EN IEC 61000-3-2:2019-04, EN 61547:2009, EN 55015:2013+A1
RoHS 3 (2015/863)	EN IEC 63000:2019-01
Vibration	10-500Hz, 1mm, 15 minutes (for X, Y, Z each axis)
Protections	over current / short circuit / over voltage / over temperature

OTHER

Casing material	Metal
Insulation type	Class 2
IP grade	IP67
Output wire dimension	H07RN-F 2 x 1.5 mm ²
Input wire dimension	H05RN-F 3 x 1.0 mm ²
Cables length	2 x 170 mm
Dimensions (L x W x H)	309 x 35 x 23 mm
Weight	0.51 kg
Warranty	5 years

NOTE

1. All parameters not specially mentioned are measured at nominal voltage input, rated load and 25°C ambient temperature.
2. Output voltage wave is measured at 20MHz of bandwidth by using a 12" twisted pair-wire terminated with a 0.1uf & 47uf parallel capacitor.
3. Tolerance: includes set up tolerance, line regulation and load regulation.
4. The power supply is considered as a component that will be operated in combination with final equipment.
Since EMC performance will be affected by the complete installation, the final equipment manufacturers must re-qualify EMC Directive on the complete installation again.
5. The power supply is not suitable to use under direct sunlight exposure.

RMS-150-12

150W **Metal Super Slim** Power Supply

Safety instructions



**READ
BEFORE
USE**

- There are no user serviceable parts inside.
- Unauthorized access to power supply internal parts will void the warranty.
- To guarantee sufficient convection cooling, keep a distance of 50 mm above and lateral distance to nearby objects.
- Do not overload the power supply.
- Note that the power supply housing can become very hot.
- Connect the LED device to the power supply with the correct polarity.
- Derating guideline: please bear in mind, that all power supplies have a de-rating curve based on ambient temperature or low input voltage. We strongly suggest to keep at least 20% of margin when designing the load.