

RAN-60-12

60W Furniture Power Supply

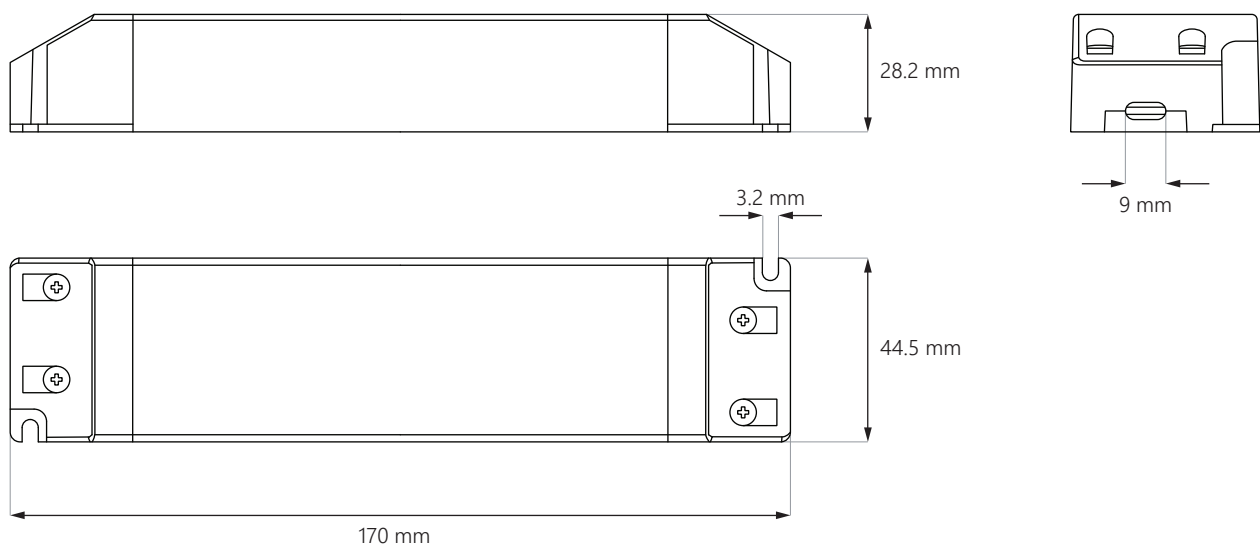


SELV

Revelis power supplies offer a slim housing profile that can be easily concealed within shallow light boxes, slim-line signage, and luminaires. With fan-less cooling technology, they operate silently and without vibrations while simplifying the power supply structure.

The RAN models feature **screw terminals** for easy wire connection and built-in mounting holes for secure installation. These power supplies include a protection circuit that shuts down in the event of **over load, short circuit, or over voltage**. Moreover, Revelis RAN power supplies **are well-suited for furniture applications**, thanks to their compact design and slim profile, allowing for seamless integration and functionality within furniture pieces.

Dimensions



RAN-60-12

60W Furniture Power Supply

Technical specification

OUTPUT

Turn on time	< 300 ms
Output voltage	12 V
Output voltage tolerance	±5%
Current range	0-5 A
Output voltage wave	240 mV (Vp-p)
Rated power	60 W
Efficiency	≥ 86%
PWM dimming frequency	> 500Hz

INPUT

Input voltage	200-240V AC
Input frequency	50/60Hz
Input current	< 0.37 A
Input power	< 66 W
No load power consumption	< 0.4 W (average)
Inrush current	< 50 A (230V AC / 50Hz, Cold start)
Power factor	≥ 0.95

ENVIRONMENT

Working temperature	-20 ÷ +45°C
Working humidity	10%-90%, RH non-condensing
Max. case temp.	+90°C
Lifetime	~50 000 hr

SAFETY STANDARDS / PROTECTON

LVD 2014/35/EU	EN61347-1:2015-09, EN61347-2-13:2015-04, EN 62493:2015-11
EMC 2014/30/EU	EN IEC 61000-3-2:2019-04/A1:2021-08, EN IEC 55015:2019-11, EN IEC 55015:2019-11
RoHS III 2015/863	EN IEC 63000:2019-01
Protection	over load / short circuit / auto recovery

OTHER

Casing material	Plastic
Insulation type	Class 2
IP grade	IP20
Input terminal size	H03VVH2-F, 2×0.75mm ² (maximum wire dimension)
Output terminal size	H03VVH2-F, 2×0.75mm ² (maximum wire dimension)
Output cables length	max. 2 m
Dimensions (L x W x H)	170 x 44.5 x 28.2 mm
Weight	0.223 kg
Warranty	5 years

NOTE

1. All parameters not specially mentioned are measured at nominal voltage input, rated load and 25°C ambient temperature.
2. Output voltage wave is measured at 20MHz of bandwidth by using a 12" twisted pair-wire terminated with a 0.1uf & 47uf parallel capacitor.
3. Tolerance: includes set up tolerance, line regulation and load regulation.
4. The power supply is considered as a component that will be operated in combination with final equipment.
Since EMC performance will be affected by the complete installation, the final equipment manufacturers must re-qualify EMC Directive on the complete installation again.
5. The power supply is not suitable to use under direct sunlight exposure.

RAN-60-12

60W **Furniture** Power Supply

Safety instructions



**READ
BEFORE
USE**

- There are no user serviceable parts inside.
- Unauthorized access to power supply internal parts will void the warranty.
- To guarantee sufficient convection cooling, keep a distance of 50 mm above and lateral distance to nearby objects.
- Do not overload the power supply.
- Note that the power supply housing can become very hot.
- Connect the LED device to the power supply with the correct polarity.
- Derating guideline: please bear in mind, that all power supplies have a de-rating curve based on ambient temperature or low input voltage. We strongly suggest to keep at least 20% of margin when designing the load.