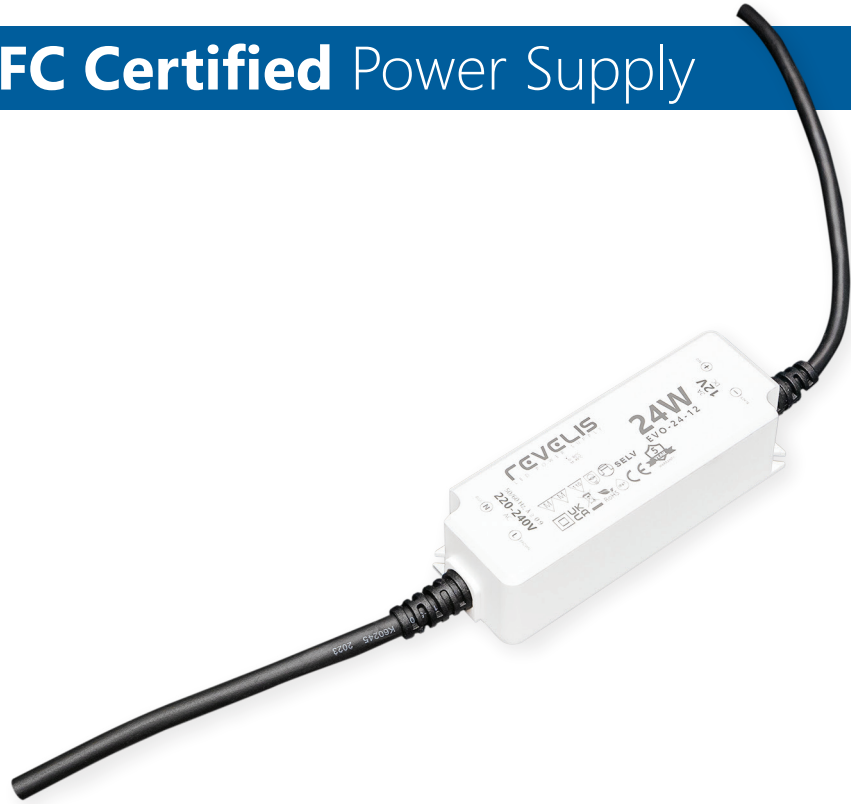


EVO-24-12

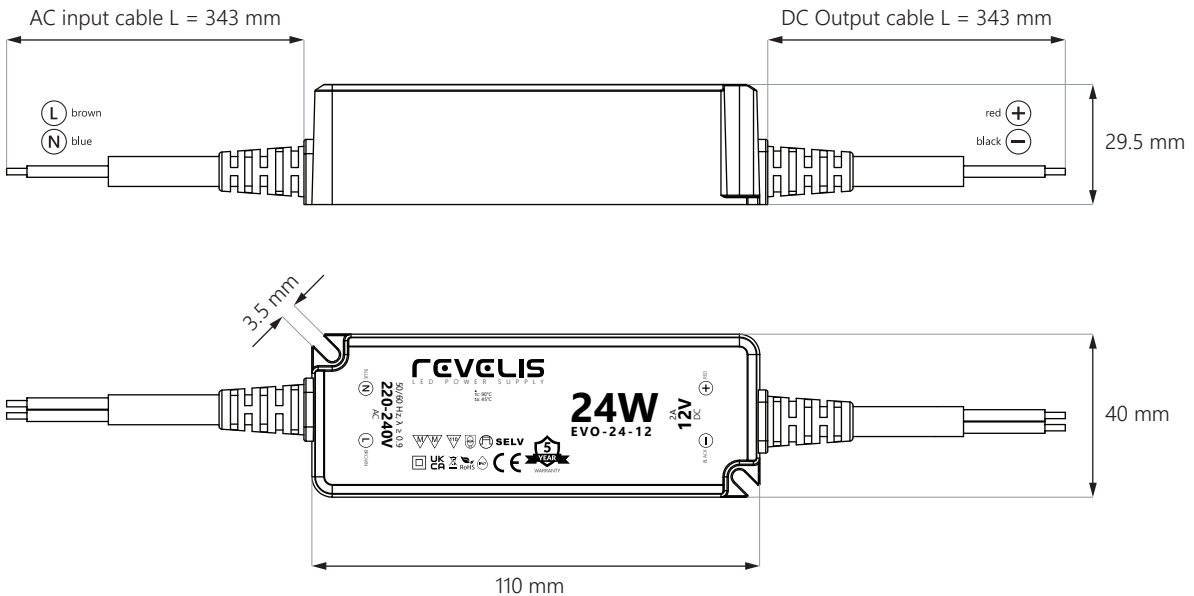
24W Active PFC Certified Power Supply



EVO is a high-quality power supply series to offer exceptional performance and reliability for modern LED lighting applications. Featuring a **built-in PFC filter and double isolation wiring**, the EVO series ensures enhanced efficiency and safety.

Available in sizes from 25 to 150 Watts, these power supplies provide excellent efficiency and fanless operation. IP67 rating and a slim plastic housing enables them suitable for indoor and outdoor projects. Equipped with safety features such as **short circuit and over load protection**, the EVO series meets international standards and comes with a 5-year warranty. Experience the reliability and efficiency of the Revelis EVO series.

Dimensions



EVO-24-12

24W Active PFC Certified Power Supply

Technical specification

OUTPUT

Startup time	< 500 ms 230V AC
Output voltage	12V DC
Output voltage wave	±5%
Current range	0 – 2 A
Rated power	24 W
Line regulation	± 3%
Load regulation	± 3%
SVM	≤ 0.4
Pst LM	≤ 1
PWM dimming frequency	100 – 2000Hz

INPUT

Input voltage	220 – 240V AC
Input frequency	50/60Hz
Input current	≤ 0.126 A
Efficiency	≥ 86%
No load power consumption	≤ 0.5 W
Power factor	≥ 0.95 230V AC, Full load
THD	< 10%
Inrush current	< 25.7 A
Leaked current	< 0.7 mA

ENVIRONMENT

Ta	-20 ÷ +45°C
Tc max.	+90°C
Storage temperature	-30 ÷ +80°C
Working humidity	10%-85%, RH non-condensing
Lifetime	~30 000 h

PROTECTION

Short circuit	Hiccup mode, restart automatically after fault correction
Over load	Exceed maximum rated load times 1.2
Surge capacity	L-N: 500V
Withstand voltage	Input-Output: 3750V / 5 mA / 1 miN

SAFETY STANDARDS

LVD 2014/35/EU	EN 61347-1:2015-09/A1:2021-06, EN 61347-2-13:2015-04/A1:2017-07, EN 62493:2015-11/A1:2023-03
EMC (2014/30/EU)	EN IEC 61000-3-2:2019-04/A1:2021-08, EN IEC 55015:2019-11/A11:2020-07
RoHS 3 (2015/863)	EN IEC 63000:2019-01

PACKING

Quantity per box	20 pcs
Gross weight (box)	7 kg 15.43 lbs
Box dimensions (L x W x H)	30.5 x 17.8 x 19.5 cm 12.01 x 7.01 x 7.68 in

EVO-24-12

24W Active PFC Certified Power Supply

OTHER

Housing material	Plastic
Housing colour	White
Insulation type	Class 2
IP grade	IP67
AC input cable	H05RN-F VDE 60245 IEC 57(YZW) 300/500V 2x1 mm ² L=343 mm
DC output cable	SVT 2/C 18AWG 2x0.824 mm ² VW-1 105°C 300V L = 343 mm
Dimensions (L x W x H)	110 x 40 x 29.5 mm 4.33 x 1.57 x 1.16 in
Weight	0.26 kg 0.587 lbs
Warranty	5 years

FUSE COMPABILITY DATA

B16	34 pcs
C16	58 pcs

NOTE

1. All parameters not specially mentioned are measured at nominal voltage input, rated load and 25°C ambient temperature.
2. Output voltage wave is measured at 20MHz of bandwidth by using a 12" twisted pair-wire terminated with a 0.1uf & 47uf parallel capacitor.
3. Tolerance: includes set up tolerance, line regulation and load regulation.
4. The power supply is considered as a component that will be operated in combination with final equipment.
Since EMC performance will be affected by the complete installation, the final equipment manufacturers must re-qualify EMC Directive on the complete installation again.
5. The power supply is not suitable to use under direct sunlight exposure.

Safety instructions

- There are no user serviceable parts inside.
- Unauthorized access to power supply internal parts will void the warranty.
- To guarantee sufficient convection cooling, keep a distance of 50 mm above and lateral distance to nearby objects.
- Do not overload the power supply.
- Note that the power supply housing can become very hot.
- Connect the LED device to the power supply with the correct polarity.
- Derating guideline: please bear in mind, that all power supplies have a de-rating curve based on ambient temperature or low input voltage. We strongly suggest to keep at least 20% of margin when designing the load.



**READ
BEFORE
USE**