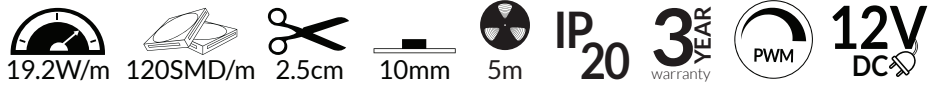
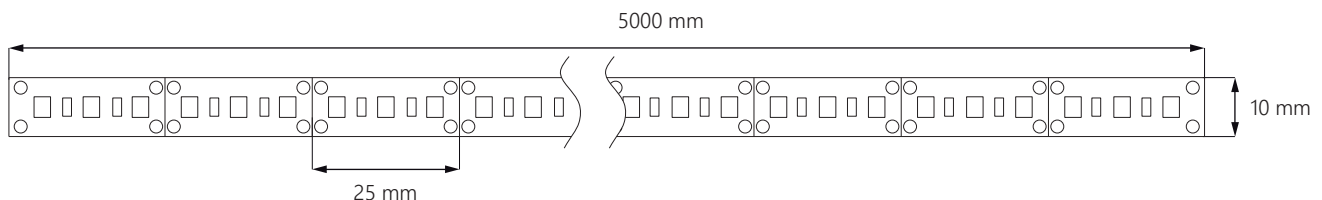


LED Strip EMPA-120



- high density strip designed as a central element **for kitchen workstation lighting**
- high quality **selected SMD diodes** with long life span
- **uniformity of light** in each of your projects
- **2-layer PCB** substrate for high protection against overheating
- **3M** double-sided adhesive tape
- for **indoor use**

DIMENSIONS



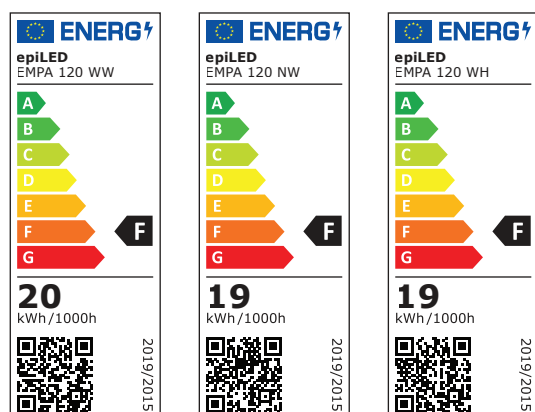
TECHNICAL SPECIFICATION

Input voltage	12V DC
Nominal power usage	19.2 W/m
Max power section	5 m
Colour rendering index	>70
Beam angle	120°
Dimmable with PWM controller	YES
Strip width	10 mm
Cutting section	12V: 2.5 cm
Reel length	5 m
Type of diode	SMD2835
Density	120 LED/m
PCB	2 oz
Installation	double-sided adhesive tape + mounting glue
Lifespan	~50000 hours
Working temperature	-20°C ÷ +40°C
IP rating	IP20
Compliance with standards	CE / RoHS / WEEE
Warranty	3 years

POSSIBLE COLOURS*

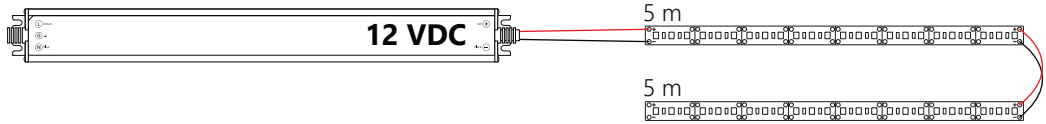
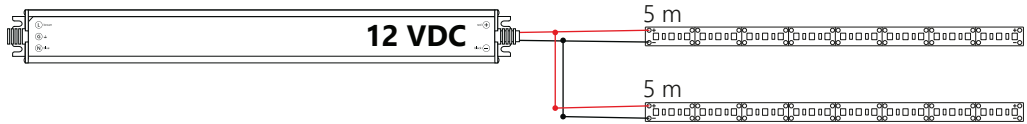
Light colour	CCT [K]	Luminous flux [lm/m]	Luminous efficacy [lm/W]	Energy class
WW	2800-3200	2123	108	F
NW	3800-4200	1983	103	F
WH	6000-6500	2021	104	F

EPREL

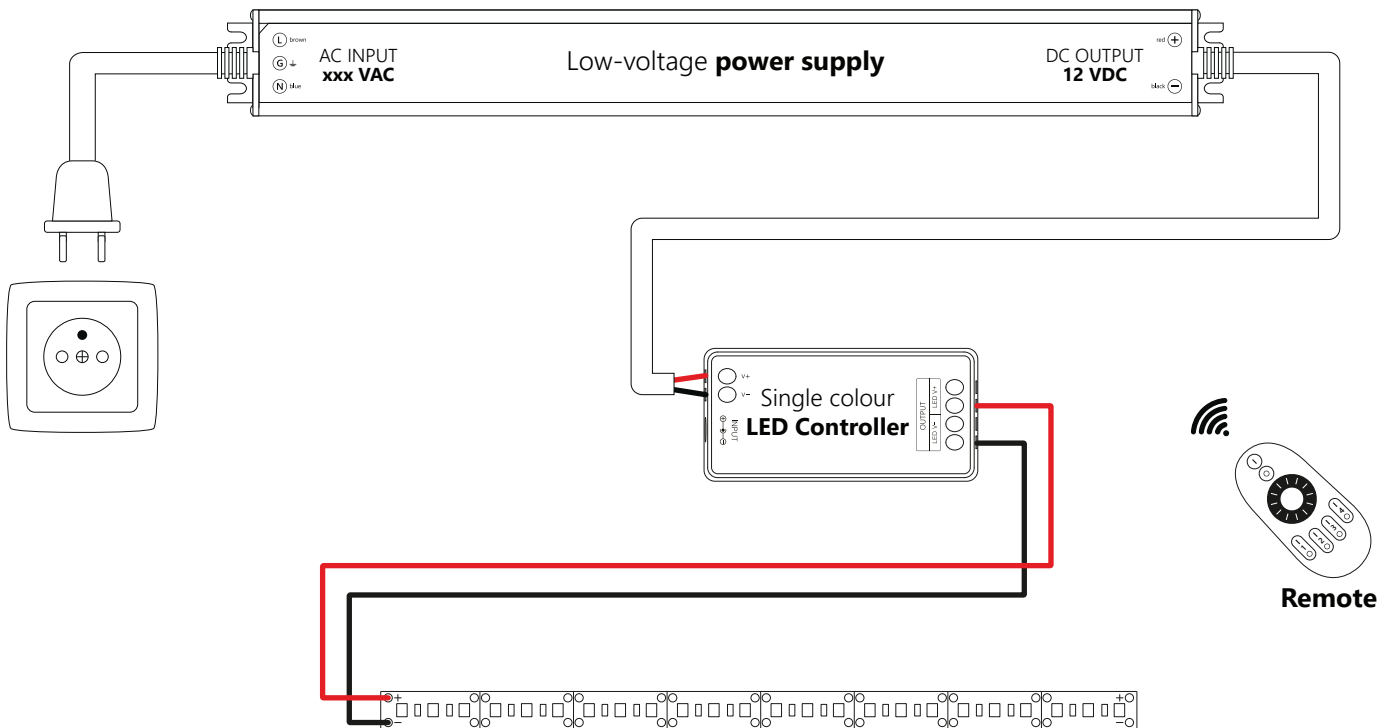


* ask our sales team for details of available colours

MAXIMUM POWER SECTION



CONNECTION DIAGRAM



TERMS AND CONDITIONS OF USE

1. Each LED strip is packed in an anti-static bag to protect the LEDs from damage. Unused strip must not be outside the bag.
2. Before installing the LED strip, dissipate the charges from the body and clothing by touching the grounded metal part.
3. Check the proper operation of the LED strip before installation (its colour and uniformity of light).
4. LED strip is not suitable for outdoor use (regardless of the declared degree of IP rating) and can not be used in areas exposed to direct weather and human exposure.
5. To preserve the lifespan of LED strips should be mounted only on surfaces that dissipate heat well (such as aluminum profiles) previously degreased and cleaned.
6. Supply the LED strip according to the specifications and information on the label. Pay special attention to the maximum strip power section specified in the product data sheet.
7. When shortening the LED strip, remember that you can only cut it in the places marked on the backing.
8. It is forbidden to bend the LED strip in a different angle than the one in which it was wound on the reel.
9. The distance between the LED strip and the power supply should be as small as possible.
10. The power supply used in the installation should have a power reserve of not less than 15%.
11. Before soldering the wire to the LED strip, whitewash the ends first. LEDs are very sensitive to high temperatures and incompetent soldering can damage them.
12. For greater durability, in addition to double-sided adhesive tape, you should also use mounting glue when gluing the LED strip.
13. It is forbidden to press directly on the LEDs during installation.
14. When connecting the LED controller / power supply, it is necessary to maintain polarity.
15. **Non-compliance with the above recommendations will result in loss of warranty.**

DOWNLOAD

EU Declaration of Conformity

<https://www.epiled.pl/download/deklaracje/eu-declaration-of-conformity-led-strips.pdf>